

# COM-T

Low Carbon Steel,  
PTFE Lined



## Spherical Bearings

Our COM-T Series is our basic precision PTFE lined offering within our line of spherical bearings used in non-rotational applications. This lower cost version is suitable for a wide variety of OEM and MRO applications requiring press fit installation on plate-mounted designs.

It features a steel (52100) ball that is thru hardened and hard chrome plated. Race is comprised of low carbon steel and oil coated after assembly. Our spherical bearing design ensures optimum ball to race conformity because the wear surface remains in contact all along the ball. PTFE liner minimizes wear within the bearing's inner surface, reducing maintenance and increasing bearing life. Lower cost metal to metal version and custom sizes also available.

The COM-T Series is just one of many products found within our broad line of spherical bearings. For full product line detail, contact us for a comprehensive catalog or visit [www.tuthill.com](http://www.tuthill.com) and download individual product data sheets and other product information.



### Description:

COM-T Spherical Bearings  
Low Carbon Steel, PTFE Lined

### Applications:

Numerous plate-mounted, press fit bearing applications across a wide range of OEM and MRO markets, including:

- Industrial equipment
- Construction equipment
- Racing

### Features:

- Suited for numerous non-rotational applications — for mounting into plates or shocks where room for attaching full rod ends is not available
- PTFE lined design minimizes friction between working surfaces (lower maintenance, increased life)
- Low carbon steel design provides for lower cost alternative
- Can be used in a wide range of temperatures:  
-65°F - 250°F  
(-54°C - 121°C)

### Other Related Products:

- COM Low Carbon Steel, Metal to Metal

# COM-T

Low Carbon Steel,  
PTFE Lined

## Material

### Ball

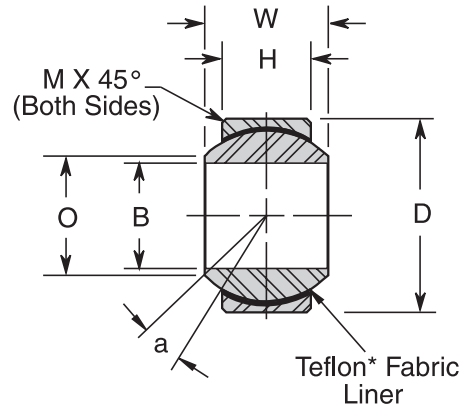
- 52100 Steel
- Rc 56 Min.
- Hard Chrome Plated

### Race

- Low Carbon Steel
- Oil Coated

### Liner

- PTFE Liner, Permanently Bonded to Race I.D.



## COM-T CHART

Part Number	B	D	H	W	O	M	a°	Radial Static Load Capacity (Pounds)	Approx. Weight (Pounds)	
	+0.015 -0.005	+0.000 -0.007	±.005	±.005	REF	REF	REF			REF
	Ball Bore	Outside Diameter	Race Width	Ball Width	Ball Flat Diameter	O.D. Chamfer	Ball Diameter	Misalign Angle		
COM3T	.1900	.5625	.218	.281	.293	.015	.406	15.6	3,250	.014
COM4T	.2500	.6562	.250	.343	.364	.022	.500	16.6	4,950	.022
COM5T	.3125	.7500	.281	.375	.419	.032	.562	14.8	6,475	.030
COM6T	.3750	.8125	.312	.406	.515	.032	.656	12.3	8,400	.038
COM7T	.4375	.9062	.343	.437	.530	.032	.687	12.0	10,200	.048
COM8T	.5000	1.0000	.390	.500	.600	.032	.781	12.0	13,250	.065
COM10T	.6250	1.1875	.500	.625	.739	.032	.968	11.8	21,280	.110
COM12T	.7500	1.4375	.593	.750	.920	.044	1.187	11.4	31,920	.204
COM14T	.8750	1.5625	.703	.875	.978	.044	1.312	11.5	41,960	.263
COM16T	1.0000	1.7500	.797	1.000	1.118	.044	1.500	11.6	55,200	.386

Linking Motion  
& Control...  
The Tuthill  
Solution



### Product Selector Guide

- Rod Ends —  
*Industrial/Commercial*
- Rod Ends —  
*Precision/Heavy Duty*
- Spherical Bearings
- Ball Joints
- Swivels
- Clevises/Safety Fasteners/Pins



**TUTHILL**  
Controls Group

2110 Summit Street  
New Haven, Indiana USA 46774  
Tel 260 749-5105 Fax 260 493-2387  
www.tuthill.com

• Review "Installation of Spherical Bearing" section of Tuthill Technical/Application Data brochure for installation instructions. Please refer to the Warning statement and appropriate installation usage information in the Tuthill Technical/Application Data brochure.  
• For application assistance/technical questions, please contact (tlgtech@tuthill.com) or phone (260-749-5105)