

NSSB/NSSB-V

Stainless Steel, Swaged Race, Narrow Series,
PTFE Lined, (Optional V-Groove)



Spherical Bearings

NSSB/NSSB-V Series provides a narrow body alternative (for thinner plate mounting surfaces with less room for movement) within our line of corrosion resistant precision stainless steel spherical bearings. Choose from plain (for press fit applications) or V-Groove (staked fit) mounting styles.

They feature a stainless steel outer race and are PTFE lined for extended wear life. They are swaged and machined around a thru hardened and precision ground stainless steel ball. Suited for many corrosive environment applications requiring stainless steel. The PTFE liner minimizes wear within the bearing's inner surface, reducing maintenance and increasing bearing life.

The NSSB/NSSB-V Series is just one of many products found within our broad line of spherical bearings. For full product line detail, contact us for a comprehensive catalog or visit www.tuthill.com and download individual product data sheets and other product information.



Description:

NSSB/NSSB-V
Spherical Bearings
Stainless Steel, Swaged Race,
Narrow Series, PTFE Lined,
(Optional V-Groove)

Applications:

Numerous corrosive and "clean room or food grade" applications, including:

- Food equipment
- Racing
- Medical equipment
- Marine equipment
- Light industrial applications

Features:

- Suited for numerous non-rotational applications — for mounting into plates or shocks where room for attaching full rod ends is not available
- Stainless steel provides optimized corrosion resistance
- PTFE lined design minimizes wear between working surfaces (lower maintenance, increased life)
- Offered in plain (press fit) or V-Groove (staked fit) mounting styles
- Can be used in a wide range of temperatures:
-65°F — 250°F
(-54°C — 121°C)

Other Related Products:

- WSSB/WSSB-V
Stainless Steel, Swaged Race, Wide Series, PTFE Lined, (Optional V-Groove)
- YSSB/YSSB-V
High Misalignment Series, Stainless Steel, Swaged Race, PTFE Lined, (Optional V-Groove)

NSSB/NSSB-V

Stainless Steel, Swaged Race,
Narrow Series, PTFE Lined,
(Optional V-Groove)

Material

Ball

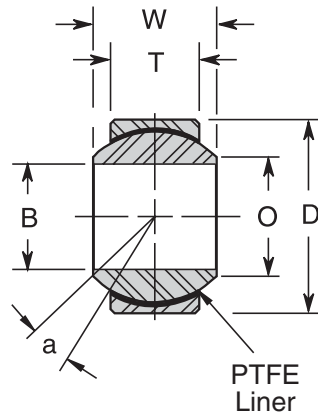
- 440c Stainless Steel
- Rc 55 min.

Race

- 17-4 PH Stainless Steel, Heat Treated

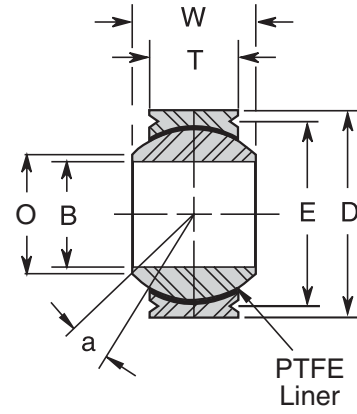
Liner

- PTFE Liner, Permanently Bonded to Race I.D.



NSSB

PTFE Liner



NSSB-V

PTFE Liner

NSSB/NSSB-V CHART

Part Number		B +.0015 -.0005	D +.0000 -.0005	W +.000 -.002	T ±.005	E +.000 -.010	O REF	REF	a° REF	Static Radial Limit Load (Pounds)	Static Axial Limit Load (Pounds)	Dynamic Oscillating Radial Load (Pounds)	Approx. Weight (Pounds)
Standard	V-Groove	Ball Bore	Outside Diameter	Ball Width	Race Width	V-Groove Diameter	Ball Flat Diameter	Ball Diameter	Misalign Angle				
NSSB3	NSSB3V	.1900	.5625	.281	.218	.502	.293	.406	12	3,975	150	1,500	.020
NSSB4	NSSB4V	.2500	.6562	.343	.250	.596	.364	.500	13	6,040	430	2,320	.020
NSSB5	NSSB5V	.3125	.7500	.375	.281	.652	.419	.562	12	8,750	700	3,430	.030
NSSB6	NSSB6V	.3750	.8125	.406	.312	.714	.515	.656	10	10,540	1,100	4,200	.040
NSSB7	NSSB7V	.4375	.9062	.437	.343	.808	.530	.687	10	13,200	1,400	5,700	.050
NSSB8	NSSB8V	.5000	1.0000	.500	.390	.878	.600	.781	10	17,900	2,100	7,900	.070
NSSB10	NSSB10V	.6250	1.1875	.625	.500	1.065	.739	.968	9	30,500	4,720	13,400	.120
NSSB12	NSSB12V	.7500	1.4375	.750	.593	1.315	.920	1.187	9	46,400	6,750	19,700	.210
NSSB14	NSSB14V	.8750	1.5625	.875	.703	1.440	.978	1.312	9	62,200	9,350	26,100	.270
NSSB16	NSSB16V	1.0000	1.7500	1.000	.797	1.628	1.118	1.500	10	82,200	12,160	34,100	.390

Chart notes: This part is also available with an optional 52100 heat treated and hard chrome plated ball. To specify, use part number NSBT10. See technical section for "V" groove dimensions and staking instructions.

Linking Motion
& Control...
The Tuthill
Solution



2110 Summit Street
New Haven, Indiana USA 46774
Tel 260 749-5105 Fax 260 493-2387
www.tuthill.com

- Review "Installation of Spherical Bearing" section of Tuthill Technical/Application Data brochure for installation instructions. Please refer to the Warning statement and appropriate installation usage information in the Tuthill Technical/Application Data brochure.
- For application assistance/technical questions, please contact (tlgtech@tuthill.com) or phone (260-749-5105)