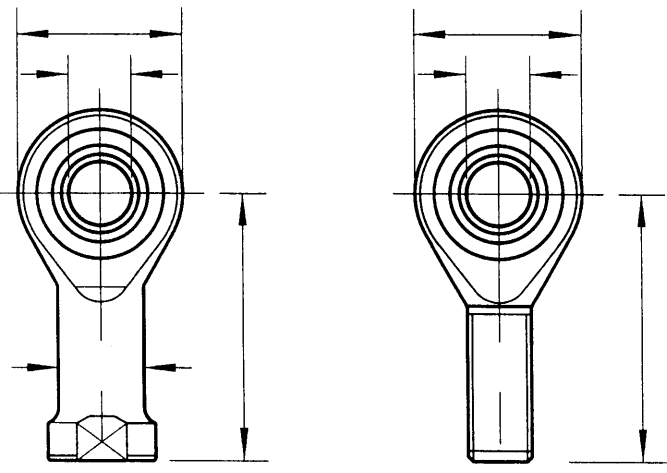
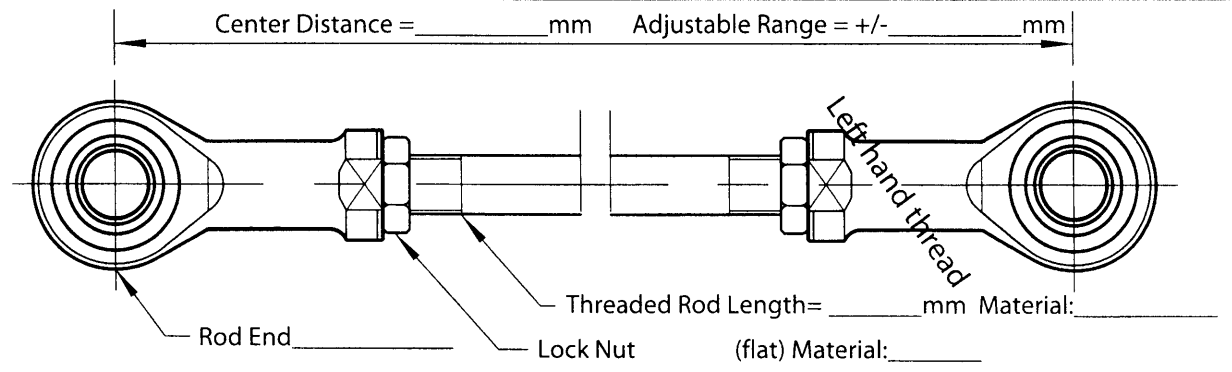
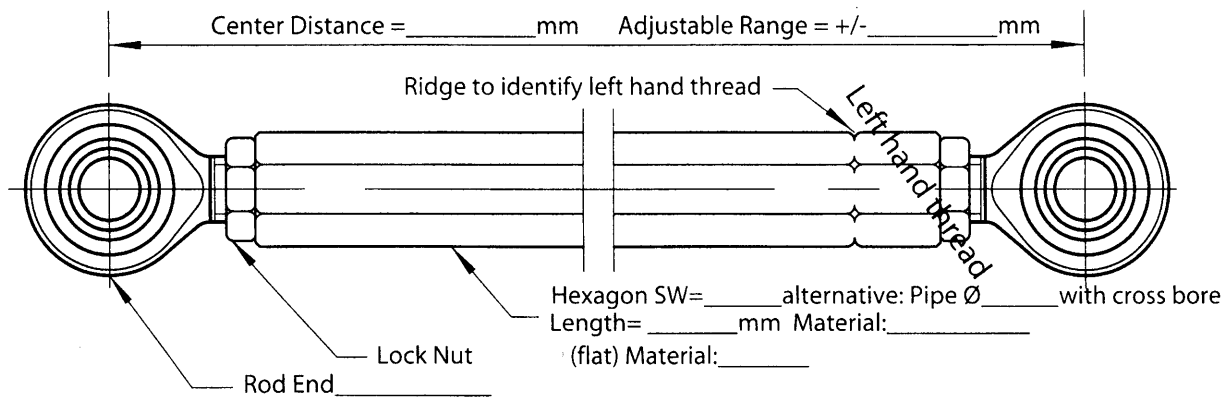


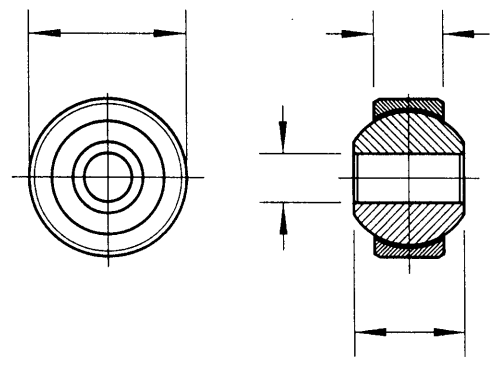
Please indicate: Form A Form B



with incorporated Spherical Type: _____

Head Width $M =$ _____ mm, Ball Width $B =$ _____ mm

Thread Length $GL =$ _____ mm, Thread $G =$ _____



Material Ball: _____

Material Outer Ring: _____

Maintenance free: Yes No